

TBH35

BEAM LOAD CELL



Totalcomp's TBH35 Hermetically Sealed Stainless Steel Construction

✓ *Interchangeable with
several manufacturers.*

✓ *Available NTEP
Certified, 91-030.*

✓ *Washdown safe.*

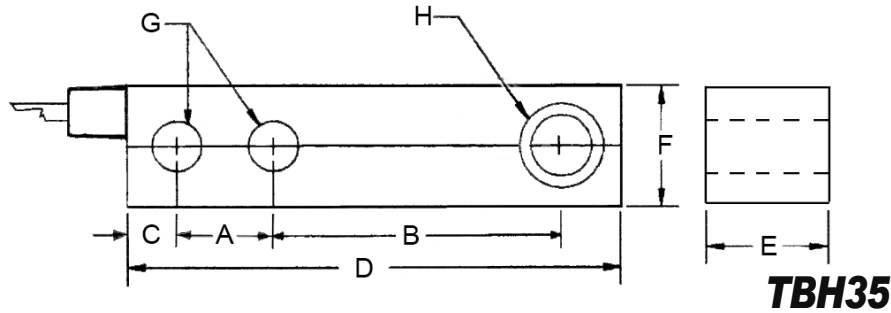
✓ *Environmentally sealed.*



Totalcomp[®] Scales & Components

SPECIFICATIONS

TBH35



TBH35 TOTALCOMP BEAM LOAD CELL

The *Totalcomp* TBH35 series beam load cells are the latest introduction to the popular beam line. The TBH35 offers all stainless steel construction. Ideal for applications such as floor scales, tank, bin, and hopper weighing.

Part Number	Capacity	Weight	A	B	C	D	E	F	G	H
TBH35-500-SS	500 lb	3 lb	1.00	3.00	0.62	5.12	1.12	1.21	0.53	1/2-20
TBH35-1K-SS	1,000 lb	3 lb	1.00	3.00	0.62	5.12	1.12	1.21	0.53	1/2-20
TBH35-2.5K-SS	2,500 lb	3 lb	1.00	3.00	0.62	5.12	1.12	1.21	0.53	1/2-20
TBH35-4K-SS	4,000 lb	3 lb	1.00	3.00	0.62	5.12	1.12	1.21	0.53	1/2-20
TBH35-5K-SE-SS	5,000 lb	4 lb	1.00	3.00	0.62	5.12	1.12	1.21	0.53	1/2-20

Performance

Full Scale Output
3.00 mV/V

Combined Error
±0.03% FS

Nonlinearity
±0.05% FS

Hysteresis
±0.03%

Creep
±0.03% FS in 20 min

Non-Repeatability
±0.01% FS

Zero Balance
±2.0% FS

Overload Safe
150% FS

Overload Ultimate
300% FS

Electrical

Bridge Resistance
Input 350 ohms
Output 350 ohms

Excitation Voltage
10VDC (15VDC Max)

Insulation Resistance
5KMohms@50VDC

Temperature

Compensated Range
-10°C to +40°C

Temperature Operating Range
-16°C to +65°C

Effect on Zero Balance
0.0025% FS/deg F

Effect on FS Output
0.0015% FS/deg F

Mechanical

Material
Stainless Steel

Finish
Electropolished

Sealing
IP68

Wiring

Cable Length & Type
20 foot, 4 conductor

Cable Color Code
+ Excitation.....Green
- Excitation.....Black
+ Output.....White
- Output.....Red
Shield.....Yellow

TOTALCOMP LIMITED WARRANTY

Totalcomp warrants this product to be free of defects in materials and/or workmanship and suitable for the purpose(s) intended as outlined on this sheet. This warranty is effective and shall cover the purchaser for one year from the date of shipment from our plant. If this product is found to be defective by our inspection in accordance with the above listed criteria, we will replace or repair it at our expense. For warranty service, please obtain a return authorization number from us and return the item, shipping prepaid, with a written description of the problem. We will respond promptly with the results of our evaluation.